

NEW

Linear Actuators

1800 N

Gearhead with integrated Lead Screw, trapezoidal thread

For combination with
DC-Micromotors
Brushless DC-Motors
Stepper Motors

Series 32L ... TL

Values at 22°C

	1	1	1	2	2	3	4
Number of gear stages	1	1	1	2	2	3	4
Reduction ratio ¹⁾ (rounded)	1:1	3:1	3,6:1 4,5:1 6,6:1	9:1 11:1	14:1 16:1 20:1 24:1 30:1 44:1	41:1 49:1 59:1 72:1 89:1 108:1 131:1 158:1 196:1	178:1 215:1 267:1 323:1 401:1 474:1 588:1 711:1 862:1 1 042:1 1 294:1
Continuous output speed, max. ²⁾	66,7	63,3	60,2...40,4	24,1...19,7	23,8...7,58	8,94...1,87	2,06...0,28
Peak output speed, max. ²⁾	167	83,3	88...48	27,8...22,7	29,8...9,47	11,4...2,38	2,62...0,36
Continuous input speed, max.	2 000	5 700	6 500	6 500	10 000	11 000	11 000
Peak input speed, max.	5 000	7 500	9 500	7 500	12 500	14 000	14 000
Continuous axial force, avg.	103	108	114...170	286...348	287...910	760...1 800	1 800
Peak axial force, dynamic, max.	955	955	1 800	1 800	1 800	1 800	1 800
Peak axial force, static, max.	3 600	3 600	3 600	3 600	3 600	3 600	3 600
Output power, max.	17	17	17	9	9	6	5
Efficiency of gearhead/coupler, max.	95	92	92	82	82	78	65
Efficiency of screw, max.	30	30	30	30	30	30	30
Mass inertia incl. screw, max. ³⁾	3 760	630	630	463	463	199	85
Accuracy, screw standard length, max.	139	140	140	140	140	140	140
Radial load, max. (15 mm from flange)	185	220	220	280	280	330	380
Gearhead backlash, at no-load, typical	0,31	0,6	0,6	0,6	0,6	0,6	0,6
Radial play (screw, 10 mm from flange)	≤ 0,05	≤ 0,05	≤ 0,05	≤ 0,05	≤ 0,05	≤ 0,05	≤ 0,05
Axial play:							
- screw	mm	= 0	= 0	= 0	= 0	= 0	= 0
- nut	µm	114	114	114	114	114	114
Screw length from flange:							
- standard	mm	200	200	200	200	200	200
- max.	mm	450	450	450	450	450	450
Length without motor L2	mm	40,7	40,7	40,7	49,1	49,1	57,5
Mass ³⁾	g	207	220	220	280	280	340
Screw type	Tr10x2 right handed, screw direction of rotation same as motor shaft.						
Screw material	stainless steel						
Nut material	cylindric, lead-free brass						
Housing material	stainless steel						
Geartrain material	stainless steel						
Bearings on output shaft	ball bearings, preloaded						
Operating temperature range	°C -30 ... +120						

¹⁾ The reduction ratios are rounded, the exact values are available on request or at www.faulhaber.com.

²⁾ According to selected reduction ratio, screw supported

³⁾ Standard length and standard nut

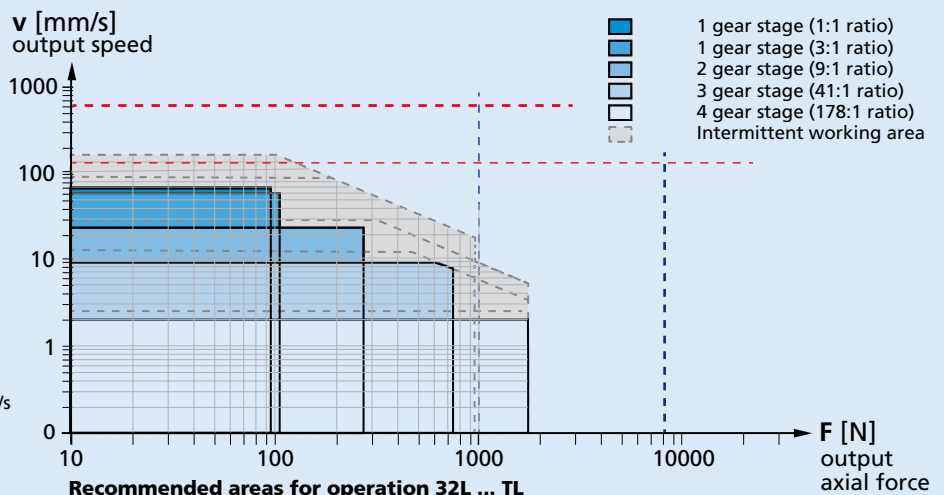
Note:

The display shows the range of possible operation points of the drives at a given ambient temperature of 22°C.


The diagram indicates the recommended output speed in relation to the available output axial force.

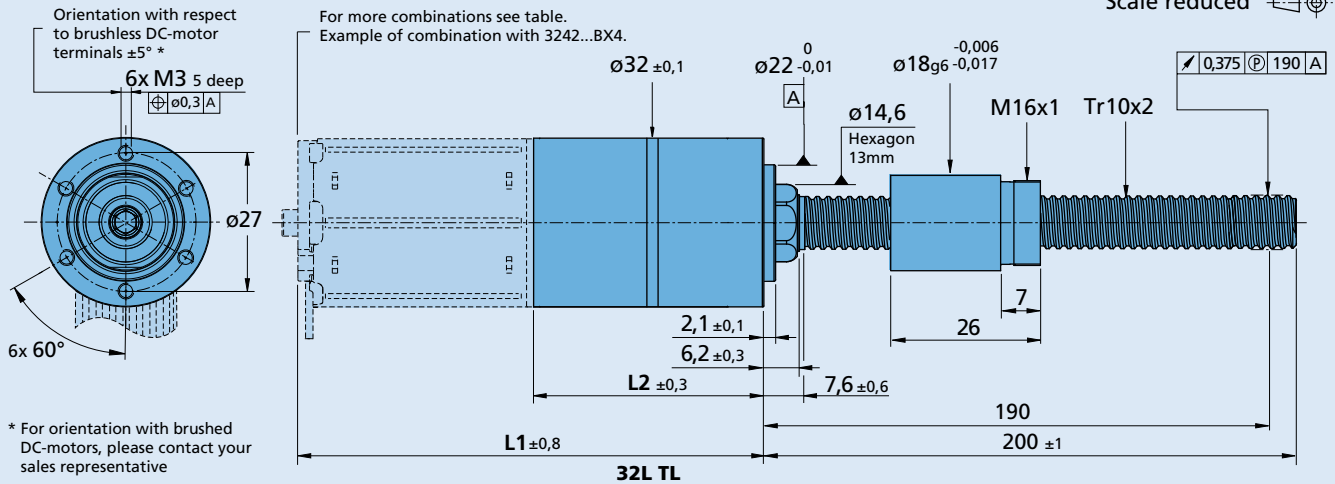
For the standard screw both supported and not, the diagram shows also the critical speeds and the buckling forces.

- - - Critical speed ³⁾ (fixed-free), 134 mm/s
- - - Critical speed ³⁾ (fixed-single), 594 mm/s
- - - Buckling force ³⁾ (fixed-free), 989 N
- - - Buckling force ³⁾ (fixed-single), 7910 N



Dimensional drawing

Scale reduced 



Options

Example product designation: **32L 30:1 KP1 TL 10x2 200 KWS1**

Option	Type	Description
KL1	Gearhead ambient conditions	Low temperature range of -55°C +100°C
KL2	Gearhead ambient conditions	Vacuum down to 10 ⁻⁵ Pa @22°C
KL3	Gearhead ambient conditions	Temperature range of -55°C +150°C and vacuum down to 10 ⁻⁹ Pa @60°C
KP1	Gearhead protection	IP54
KC1	Cable orientation	Motor cable/wires or terminals oriented at 15° CCW vs gearhead front threads
KC2	Cable orientation	Motor cable/wires or terminals oriented at 30° CCW vs gearhead front threads
KC3	Cable orientation	Motor cable/wires or terminals oriented at 45° CCW vs gearhead front threads
200	Screw	Standard length (200 mm), length from 50 mm up to 450 mm are available with 5 mm steps
KWS1	Screw	Bearing tip/journal (Ø 6mm, L=10mm)
KWL0	Screw ambient conditions	Not lubricated
KWL2	Screw ambient conditions	Vacuum down to 10 ⁻⁵ Pa @22°C
KWL3	Screw ambient conditions	Temperature range of -55°C +150°C and vacuum down to 10 ⁻⁹ Pa @60°C
KWN2	Nut	Cylindrical plastic nut with double 8 mm flats
KWN3	Nut	Flanged lead-free brass nut
KWN4	Nut	Flanged plastic nut
KWN5	Nut	No backlash lead-free brass nut
KWN8	Nut	Cylindrical lead-free brass nut with double 8 mm flats
KWN9	Nut	No nut

Note: Specified values may differ from the standard values depending on the option. Please consult your sales representative for further information.

Product combination

Number of gear stages	1	2	3	4
L2 [mm] = length without motor	40,7	49,1	57,5	65,9
L1 [mm] = length with motor	85,6	94,0	102,4	110,8
	2642X...CR/CXR	2657X...CR/CXR	2668X...CR	3242X...CR
	111,6	120,0	128,4	136,8
	85,6	94,0	102,4	110,8
	100,6	109,0	117,4	125,8
	115,6	124,0	132,4	140,8
	95,4	103,8	112,2	120,6
	87,8	96,2	104,6	113,0
	113,8	122,2	130,6	139,0
	107,6	116,0	124,4	132,8
	121,7	130,1	138,5	146,9
	99,6	108,0	116,4	124,8
	107,6	116,0	124,4	132,8
	59,6	68,0	76,4	84,8
	60,4	68,8	77,2	85,6
	85,6	94,0	102,4	110,8